

## CE DECLARATION OF CONFORMITY

Name and address of the manufacturer or his authorized representative established within the Community:

V3 lighting  
 Brielmolenstraat 51  
 9160 Lokeren  
 Belgium  
 +32 (0)9/337 01 48  
 www.v3lighting.be  
 info@v3lighting.be



The description of the object of declaration:

- |  |   |
|--|---|
| <ul style="list-style-type: none"> <li>- <b>LINJA</b></li> <li>- <b>Clip Mounting</b></li> <li>- <b>Magnet Mounting</b></li> <li>- <b>Profile Mounting</b></li> <li>- <b>Bracket Mounting (90°/45°)</b></li> <li>- <b>Recessed Trimless</b></li> <li>- <b>Recessed Trim</b></li> <li>- <b>Suspension down</b></li> <li>- <b>Suspension Up and Down</b></li> <li>- <b>Ground</b></li> <li>- <b>Pole</b></li> <li>- <b>Wall on base/ up or down</b></li> <li>- <b>Wall on base/ up and down</b></li> <li>- <b>Floor</b></li> <li>- <b>Track</b></li> </ul> | <p><b>Slim rectangular aluminium lighting profile with PC-diffusor (Flat or High) (IP20/IP65/ IP67)</b></p> <p><b>Linja-profile ceiling or wall mounted with clips</b></p> <p><b>Linja-profile magnet mounting</b></p> <p><b>Linja-profile mounted on flat profile</b></p> <p><b>Linja-profile bracket mounted 90°/45° up or/and down</b></p> <p><b>Linja-profile flush mounted into the ceiling or wall</b></p> <p><b>Linja-profile mounted into the ceiling or wall with trim</b></p> <p><b>Pendant Linja-profile with downward diffusor</b></p> <p><b>Pendant Linja-profile with down- and upward diffusor</b></p> <p><b>Linja-profile ground mounted (IP67)</b></p> <p><b>Linja-profile Pole</b></p> <p><b>Linja-profile wall mounted with down -or upward</b></p> <p><b>Linja-profile wall mounted with down -and upward</b></p> <p><b>Linja-profile Floor Light (IP20)</b></p> <p><b>Linja-profile mounted on track-profile</b></p> |
|--|---|

The undersigned herewith declares, on behalf of V3-Lighting Lokeren, Belgium, that the above referenced product, to which this declaration relates: we are fully responsible for design and production. The products, parts included, have been designed and constructed in conformity with the provisions to the following European Standards:

EN 60598-1 / EN 60598 -2-4	Requirements for luminaires and tests
EN 55014 / 55015 / 60555 / 61000-3-2/3	EMC
EN 61347-2-13 / 62493	LED-driver / Independent control gear
EN 61547	Energy performance of control gear

And in accordance with the following Council Directives :

Directive 93/68/EEC	
Directive 73/23/EEC	Low Voltage Directive (LVD)
Directive 89/336/EEC	EMC

We acknowledge the agreement of the products with the requirements of the 'glow wire test - 960°C' according to the above directives.

The Technical Construction File required by these Directives is maintained at the corporate headquarters of V3 lighting, Brielmolenstraat 51, 9160 Lokeren, Belgium.

Our products will have affixed the CE marking.  
 Lokeren, Belgium,

5/11/2016

# LINJA

## Clip Mounting - CEILING SYSTEM

### TECHNICAL INFORMATION



#### COLOUR

	Anodized aluminium natural	25 µm
	Anodized aluminium black	20 µm
	White fine structured 2-comp Solid PUR-Acryl Coating	
	RAL fine structured 2-comp Solid PUR-Acryl Coating	

POWER	OUTPUT (IP20 + Opal Diffusor)	LED/M	CRI
-------	----------------------------------	-------	-----

<b>STRIPS</b>			
4,8W/m	±240 lm/m	120pc/m	CRI>80
9,6W/m	±450lm/m	120pc/m	CRI>80
14,4W/m	±700 lm/m	120pc/m	CRI>90
18,0W/m	±1000 lm/m	COB	CRI>90
28,8W/m	±1450 lm/m	120pc/m	CRI>90
22,0W/m	±1950 lm/m	128pc/m	CRI>80
14,4W/m RGB	-	60pc/m	
23W/m RGBA/W	-	60pc/m	
28,8W/m RGB	-	60pc/m	

<b>DIM-TO-WARM</b>			
20W/m	±1850 lm/m		CRI>90

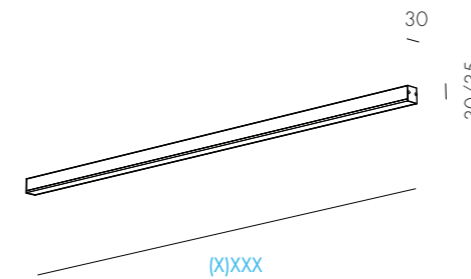
#### LIGHT COLOUR

extreme warm white	2300K
extra warm white	2700K
warm white	3000K
natural white	4000K
RGB	VIVID
RGB + Amber	VIVID + Soft Tone Color

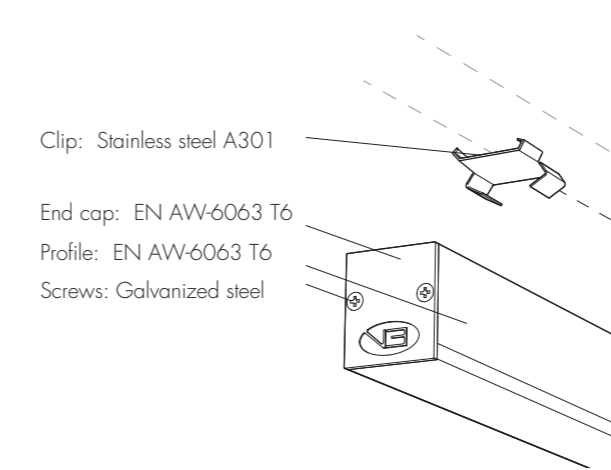
#### DIFFUSOR / POTTING

PC flat frosted	IP20	Polycarbonate Flammability V0
PC high frosted	IP20	Polycarbonate Flammability V0
PC flat <b>Black</b>	IP20	Polycarbonate Flammability V0
PC high <b>Black</b>	IP20	Polycarbonate Flammability V0
Potting Low (+ PC Flat or High)	IP44/65	PC V0 + PU Clear / Sh 65A
Potting High	IP67	Polyurethane Opal / Sh 65A
Potting Full	IP67	Polyurethane Opal / Sh 65A

Our anodized profiles (when potted) are suited for outdoor use and coastal areas.



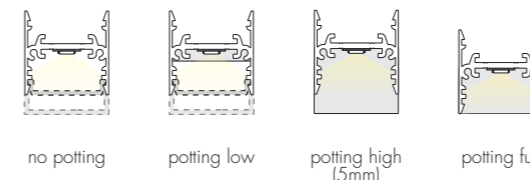
### CLIP MOUNTING - CEILING SYSTEM



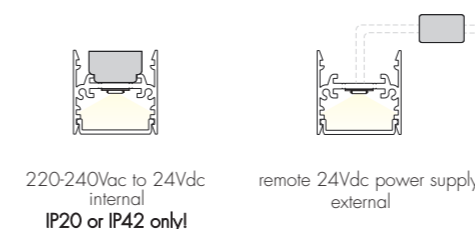
### DIFFUSOR TYPES



### POTTING TYPES

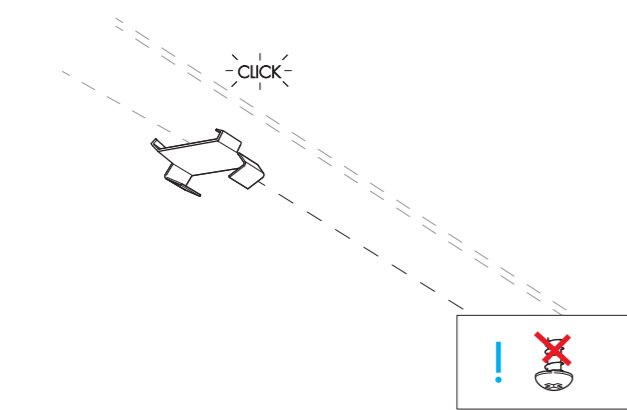


### POWER SUPPLY OPTIONS

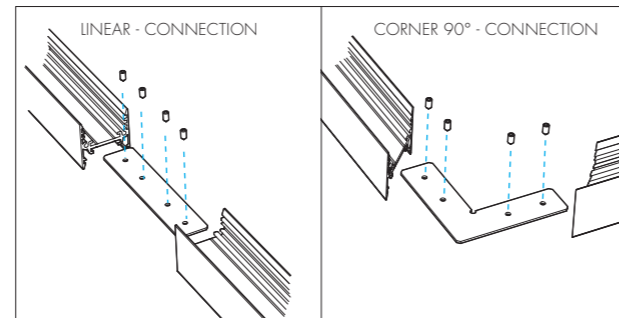
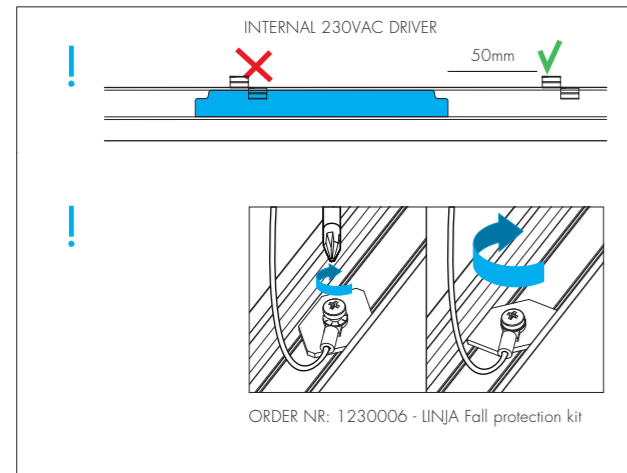
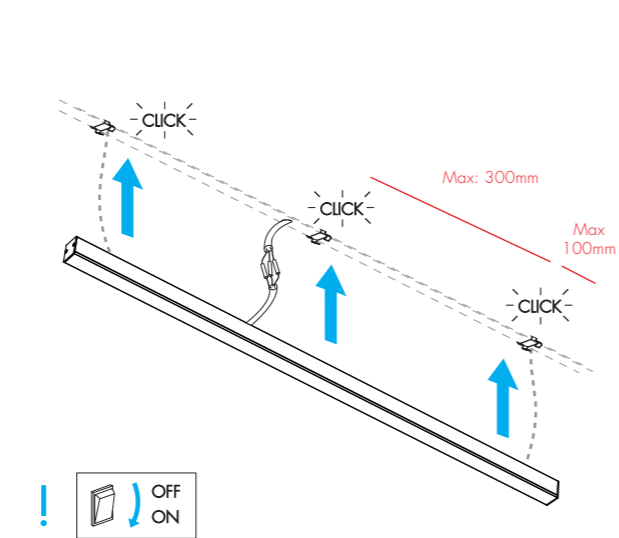


# Mounting Instructions

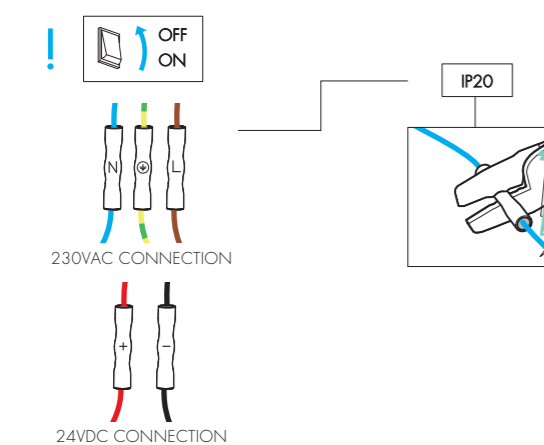
## 1 Mount the LINJA System-clips onto the Profiles



## Mount the LINJA profile onto ceiling profiles



## 2 Connect the power supply



## Remark / Warning / Precautions / Conditions

Ensure the main electric supply is switched off before installing the fixture.  
 Ensure the driver has not been powered for at least 1 minute before connecting the LED's.  
 Connect the LED-side first, secondly the mains.  
 Do not connect the LED's to the main voltage without the driver.  
 LINJA IP20 is suitable for indoor use only.  
 If the cable is defective, do not use the fixture.  
 If in any doubt consult or contact the manufacturer.

# Cable length vs cable section (24V)

POWER (Watt) CURRENT (A) Cable Length(m)	Cable Section 4mm <sup>2</sup>														
	Cable Section 2,5mm <sup>2</sup>														
	Cable Section 1mm <sup>2</sup>														
	Cable Section 0,75mm <sup>2</sup>														
	24	48	72	96	120	144	168	192	216	240	264	288	312	336	360
	1	2	3	4	5	6	7	8	9	10	11	12	13	14	15
1															
2															
3															
4															
5															
6															
7															
8															
9															
10															
11															
12															
13															
14															
15															
16															
17															
18															
19															
20															
21															
22															
23															
24															
25															

Pouillet's law (Resistance and conductivity):  
 $R \cdot A = \rho \cdot L$   
 R: Electrical resistance of material  
 $\rho$ : static resistivity Ohm/Meter  
 L: length of the conductor (Meter)  
 A: cross section mm<sup>2</sup>

This table provides an indication for the cable section and cable length. Always recalculate for each specific situation and circuit.

**Installation: Low power + short cables**  
 Use the sum of the total power consumption for the calculation of the cable section.

**Installation: High power + short cables**  
 Use the total power consumption of each line separately for the calculation of the cable section.

**Installation: Low power + long cables**  
 Use the total power consumption of each line separately for the calculation of the cable section. Divide the power equally over the lines.

**Installation: High power + long cables**  
 Use the total power consumption of each line separately for the calculation of the cable section. Divide the power equally over the lines.

**N** Algemene gebruiksvoorwaarden  
 Het toestel dient geplaatst, aangesloten en uitgetest te worden door een erkend installateur en volgens de plaatselijk geldende reglementering. / De klant wordt verondersteld onze algemene verkoopvoorwaarden te kennen. / De armaturen dienen steeds met zorg te worden geïnstalleerd of vervangen. / Voor installatie of onderhoud van het toestel de voedingsspanning afsluiten. / Bij vervanging het toestel afzetten en volledig laten afkoelen. / Het toestel kan worden onderhouden met een zachte doek en eventueel een standaard pH-neutraal detergent. / Voor goederen met een inox oppervlak moet dit op geregelde tijdstippen gebeuren. / Het toestel moet hiervoor worden afgezet en volledig afgekoeld. / Elk verkeerd gebruik of aanpassing van het toestel maakt de garantie nietig. / Kinderen moeten buiten het bereik van de toestellen worden gehouden. / De toestellen mogen nooit worden bedekt zoals bijvoorbeeld met een isolerend materiaal of iets dergelijks. / Er kunnen wijzigingen optreden qua ontwerp, specificaties en instructies.

**D** Allgemeine Gebrauchsbedingungen  
 Das Gerät soll von einem anerkannten Installateur und den örtlich geltenden Satzungen gemäß aufgestellt, angeschlossen und getestet werden. / Der Kunde soll unsere allgemeinen Verkaufsbedingungen kennen. / Die Lampen sollen immer sorgfältig installiert oder ersetzt werden. / Für die Installation oder die Wartung des Geräts sollen Sie die Spannung abschließen. / Für die Wartung des Geräts benutzen Sie ein weiches Tuch und eventuell ein reguläres pH - neutrales Reinigungsmittel. Für Güter mit einer Oberfläche aus Edelstahl soll dies regelmäßig gemacht werden. Dafür soll das Gerät ausgeschaltet und völlig abgekühlt werden. / Jede falsche Benutzung oder Anpassung des Geräts macht die Garantie ungültig. / Diese Geräte sollen außer Reichweite von Kindern gehalten werden. Die Geräte dürfen nie mit zum Beispiel einem isolierendem Material oder etwas Ähnlichem bedeckt werden. / Änderungen im Entwurf, in Spezifizierungen und Montageanweisungen sind möglich.

**EN** General Conditions for Use  
 The appliance should be installed, connected and tested by a certified installer, and in accordance with the local regulations. / The customer is supposed to know our general sales conditions. / Fixtures should always be installed or replaced with care. / Turn off the power supply before installation or maintenance of the appliance. / When a fixture is to be replaced: switch off the appliance first and let it cool down completely. / Clean the appliance with a soft cloth and a standard pH neutral detergent. Stainless steel surfaces should be maintained regularly. Therefore the appliance should be switched off and cooled down. / Misuse of, or changes to the appliance shall nullify the guarantee. / Keep children away from the appliances. / Never cover the appliances with e.g. insulating material. / The manufacturer is free to change the design, specifications and instructions for assembly.

**ES** Condiciones generales de uso  
 El aparato tiene que ser colocado, conectado y probado por un técnico reconocido, respetando el reglamento local vigente. / Se supone que el cliente conoce nuestras condiciones generales de venta. Las lámparas siempre tienen que ser instaladas o reemplazadas con cuidado. / Corte la alimentación eléctrica antes de instalar o mantener el aparato. / Desconecte el aparato y déjelo enfriar completamente antes de reemplazar las lámparas. / Para el mantenimiento del aparato se puede utilizar un paño suave o, eventualmente, un detergente estándar de pH-neutro. Cuando se trata de aparatos con una superficie de acero inoxidable, el mantenimiento tiene que ser efectuado con regularidad. Para la limpieza hay que desconectar y dejar enfriar el aparato completamente. / Todo uso impropio o toda adaptación impropia del aparato implica la anulación de la garantía. / Los aparatos deben mantenerse fuera del alcance de los niños. / No se puede cubrir nunca los aparatos con, por ejemplo, algún tipo de material aislante. / Son posibles las modificaciones en cuanto al diseño, las especificaciones y las instrucciones de montaje.

**F** Conditions générales d'utilisation  
 L'appareil doit être placé, raccordé et testé par un installateur agréé et selon les réglementations locales en vigueur. / Le client est censé connaître nos conditions générales de vente. / Les produits doivent en tout temps être installés ou remplacés avec soin. / Déconnecter la tension d'alimentation de l'appareil avant installation ou entretien. / Déconnecter l'appareil et le laisser refroidir entièrement avant de remplacer. / L'appareil s'entretient à l'aide d'un chiffon doux et, éventuellement, d'un détergent au pH neutre. Pour les appareils à surface en inox, cet entretien doit s'effectuer à des intervalles réguliers. A cet effet, déconnecter l'appareil et le laisser refroidir entièrement. / Toute utilisation erronée ou adaptation de l'appareil annule la garantie. / Ne pas laisser les appareils à portée de main des enfants. / Les appareils ne peuvent jamais être recouverts, comme par exemple d'un matériau isolant ou équivalent. / Nous nous réservons le droit de modifications au niveau concept, spécifications et instructions de montage.

**IT** Condizioni generali d'uso  
 L'apparecchio deve essere installato, collegato e testato da un tecnico autorizzato, e secondo le regolazioni locali. / Il cliente deve conoscere le nostre condizioni generali di vendita. / Le lampadine devono sempre essere installate o sostituite con molta attenzione. / Prima dell'installazione o della manutenzione dell'apparecchio: interrompere l'alimentazione. / Per sostituire una lampadina: disattivare l'apparecchio e lasciar raffreddare completamente. / Mantenere l'apparecchio con un panno morbido, ed eventualmente imbevuto di un normale detergente con pH neutro. Le superfici inox devono essere mantenute con regolarità, perciò l'apparecchio deve essere disattivato e raffreddato completamente. / Ogni uso dell'apparecchio non conforme alle istruzioni date e/o ogni modifica apportato ad esso, annulla la garanzia. / Tener gli apparecchi fuori dalla portata di bambini. / Non coprire mai gli apparecchi: p.e. con un materiale isolante. / Il fabbricante ha il diritto di cambiare il progetto, le specifiche tecniche e le istruzioni per il montaggio.